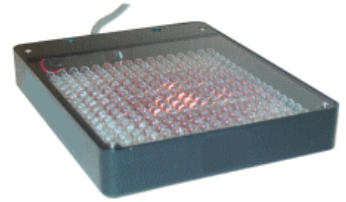


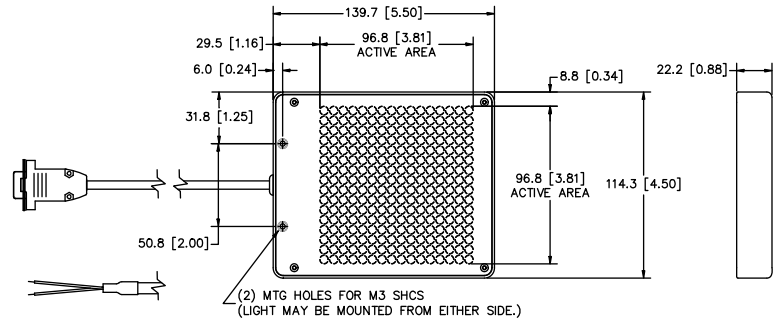
MICROSCAN®

NERLITE® AR-100 Series Area Array Illuminators

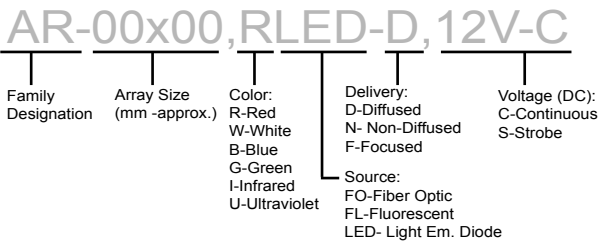
AR-100 Series Area Array Illuminators are designed for non-specular surface lighting in applications that demand economical solutions. All AR-100 Series modules employ non-diffused, square arrays of LEDs measuring approximately 100 mm per side, providing high output (HO) light from a specific direction onto the field of view. Using a new approach in thermal management technology for LED illumination, the AR-100 Series is able to support large LED arrays operating at temperature levels that guarantee long life. AR-100 Series modules may be used as dark-field (creating shadows and specular reflection) or as bright-field for diffused surfaces.



Model #	Description
NER-010652201	AR-100X100-HO, R LED-ND, 12V-C, 1.8M (6 ft.) Cbl. w/DB9
NER-010904101	AR-100X100-HO, R LED-ND, 24V-C, 1.8M (6 ft.) Cbl. w/DB9
NER-010652226	AR-100X100-HO, R LED-ND, 24V-S, 1.8m (6 ft.) Cbl. w/DB9
NER-010652203	AR-100X100-HO, W LED-ND, 12V-C, 1.8M (6 ft.) Cbl. w/DB9
NER-010904201	AR-100X100-HO, W LED-ND, 24V-C, 1.8M (6 ft.) Cbl. w/DB9
NER-010652228	AR-100X100-HO, W LED-ND, 24V-S, 1.8M (6 ft.) Cbl. w/DB9



Description Key Example



Illumination & Electrical:

Lighting Technique: Dark-field or Bright-field
Light Output Area: 96.8 mm x 96.8 mm (3.81 in. x 3.81 in.)

Light Characteristics:

Source	Color (nm)	Exp. Life	Voltage/Current (max.)		
			12V-C	24V-C	24V-S
LED	Red (636)	60k hrs.	640 mA	320 mA	13.0 A pk.
LED	White - 6500 Kelvin	10k hrs.	0.9 A	420 mA	17.2 A pk.

CE Conformity: Yes

Cables/Connectors:

	Connector	Length	Pin#	1	2	3	4	5	6	7	8	9
12V-C Models	9 pin D-sub Male	1.8 M (6 ft.)		n/a	n/a	GND	+12VDC	n/a	n/a	n/a	n/a	n/a
24V-C Models ¹	9 pin D-sub Male ¹	1.8 M (6 ft.) ¹		n/a	n/a	n/a	n/a	n/a	n/a	+24VDC	n/a	GND
NER-0102226	9 pin D-sub Male	1.8 M (6 ft.)		V-	n/a	n/a	+24VDC	n/a	n/a	n/a	n/a	n/a
NER-0102228	9 pin D-sub Male	1.8 M (6 ft.)		V-	n/a	n/a	+24VDC	+24VDC	V-	n/a	n/a	n/a

¹ Note: 24V-C Models w/"Flying Leads" have a 4.5 M (15 ft.) cable with two (2) tinned leads and no connector; leads are labeled GND and V+ (+24VDC)

Mechanical:

L x W x H (mm/in.): 139.7 mm x 114.3 mm x 22.2 mm (5.5 in. x 4.5 in. x 0.88 in.)

Mounting:
Housing Material: Black Anodized Aluminum
Weight: 567 grams (20 oz.)

Environmental:

Max. Operating Humidity: 95% non-condensing
Operating Temp. 40°C (104°F)
Storage Temp. 50°C (122°F)

Accessories:

Part #	Description	Models Used On
NER-010500301	CPS-12 3.5A, 12VDC, US Cord	12V-C
NER-010500303	CPS-12 3.5A, 12VDC, EU Cord	12V-C
NER-010501402	CPS-24, 24VDC, US cord	24V-S ¹
NER-010501401	CPS-24, 24VDC, EU cord	24V-S ¹
NER-010502601	CPS-24T, 24VDC US w/9-pin D-sub	24V-C & 24V-S ^{1,2}
NER-010502602	CPS-24T, 24VDC EU w/9-pin D-sub	24V-C & 24V-S ^{1,2}
NER-010502700	ICM-1, M/D Intensity Cntrl, 12V-C	12V-C
NER-010502701	ICM-1, M/D Intensity Cntrl, 24V-C	24V-C ²
NER-010502702	SCM-1, 1 Channel M/D Strobe Cntrl.	24V-S
NER-010901900	SCM-2, 2 Channel Strobe Cntrl.	24V-S
NER-010503500	VPS-II, 2 Ch. Variable PS, US Cord	12V-C
NER-010503501	VPS-II, 2 Ch. Variable PS, EU Cord	12V-C
NER-030003702	Ext. Cable, Cont., 1.8 M (6 ft.)	12V-C & 24V-C ²
NER-030003703	Ext. Cable, Cont., 3.0 M (10 ft.)	12V-C & 24V-C ²
NER-030003601	Y cable, 2 Lights, 9 pin D-sub Cont.	12V-C & 24V-C ²
NER-030007006	Ext. Cable, Strobe, 1.8 M (6 ft.)	24V-S
NER-030007010	Ext. Cable, Strobe, 3.0 M (10 ft.)	24V-S
NER-030006900	Y cable, 2 Lights, 9 pin D-sub Strb.	24V-S

¹ NER-01050140x used only with NER-010901900;

NER-01050260x used with either NER-010502702 or 24V-C lights with DB-9 connectors

² 24V-C accessories are not available for "Flying Leads" configurations