

# MICROSCAN®

## NERLITE® SCDI®-25-FL

**Part Number:** 010-301400

**Product Description:** The SCDI-25-FL provides continuous diffuse fluorescent illumination in the same optical path as the camera. It is designed for applications that have uneven specular surfaces requiring uniform lighting.

### Illumination:

**Lighting Technique:** Continuous Diffuse  
**Source Type:** Fluorescent, 30 kHz  
**Spectrum:** 5500 Kelvin  
**Expected Life:** 10,000 hours  
**Light Delivery:** Diffused  
**Light Aperture:** 25 mm x 25 mm  
(1 in. x 1 in.)  
**Suggested Field Of View:** 12.5 mm (0.51 in.)  
**Suggested Stand-Off:** 25.4 mm (1 in.)

### Electrical:

**Input Voltage:** 12VDC  
**Input Current:** 720 mA  
**Cable Length:** 0.5 M (18 in.)  
**Connector:** 9 pin D-sub male  
**CE Conformity:** Yes



### Mechanical:

**L x W x H:** 115.3 mm x 40.1 mm x 61.3 mm  
(4.54 in. x 1.58 in. x 2.41 in.)

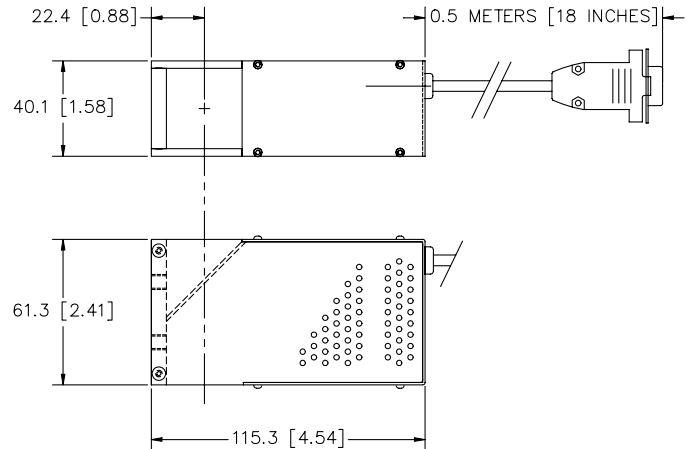
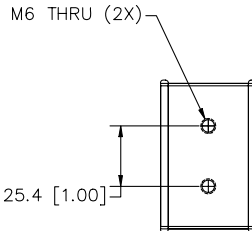
**Mounting:** (2) M6  
**Housing Material:** Black Anodized Aluminum  
**Weight:** 255 grams (9 oz.)

### Environmental:

**Max. Operating Humidity:**  
**Operating Temp.:** 40°C (104°F)  
**Storage Temp.:** 50°C (122°F)

### Cable Pinout (9-pin D-subminiature, Male)

Pin #	Signal	Pin #	Signal
1	n/a	6	n/a
2	n/a	7	n/a
3	GND	8	n/a
4	+12VDC	9	n/a
5	n/a		



### Accessories:

Part Number	Description
NER-030003702	Extension Cable, Continuous, 1.8 M (6 ft.)
NER-030003703	Extension Cable, Continuous, 3.0 M (10 ft.)
NER-010500301	CPS-12, 12VDC, US Cord
NER-010500303	CPS-12, 12VDC, EU Cord
NER-010503500	VPS-II, Variable, US Cord
NER-010503501	VPS-II, Variable, EU Cord
NER-030003600	Y cable for 2-Lights, 9 pin D-sub Continuous