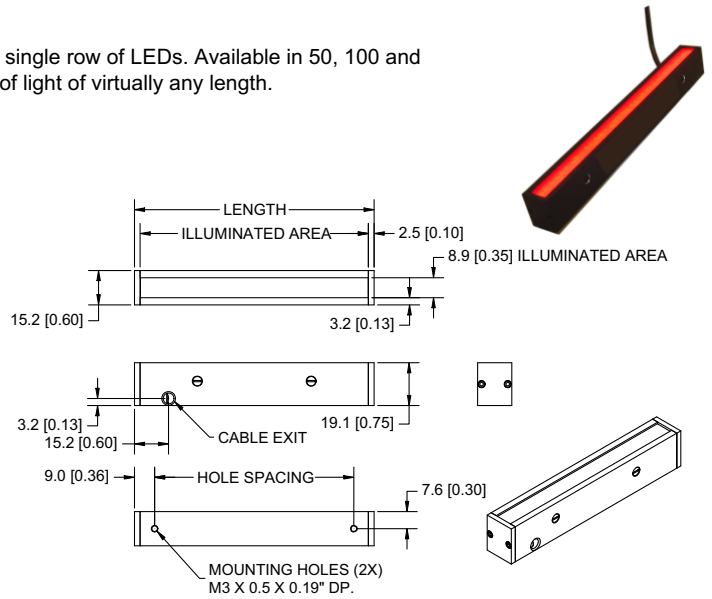


# MICROSCAN®

## NERLITE® LA-Series Linear Array Custom Models

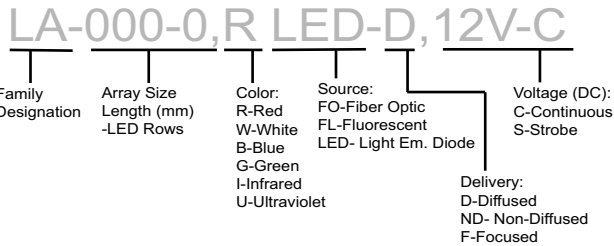
LA Series Linear Illuminators provide a high intensity "light line" generated from a single row of LEDs. Available in 50, 100 and 150 mm lengths, LA Series modes can be combined to create a linear projection of light of virtually any length.

Model #	Description
010-654191	LA-50-1 G LED-F 12V-C LW=.2@.5
010-654190	LA-50-1 I LED-ND 12V-C 880nm
010-654194	LA-50-1 I LED-ND 24V-C 940nm
010-654192	LA-50-1 I LED-F 12V-C LW=.2@.5 880 nm
010-654193	LA-50-1 I LED-F 12V-C LW=.25@.5 940 nm
010-654360	LA-100-1 B LED-ND 12V-C
010-654390	LA-100-1 I LED-D 24V-C 940nm
010-654394	LA-100-1 I LED-D 24V-C w/ "Flying Leads" 940nm
010-654590	LA-150-1 I LED-D 24V-C 940nm
010-654592	LA-150-1 I LED-D 24V-C 880nm
010-654594	LA-150-1 G LED-ND 24V-C



TABULATION	LENGTH	ILLUMINATED AREA	HOLES SPACING
010-6541XX	2.21	2.01	1.50
010-6543XX	4.21	4.01	3.50
010-6545XX	6.21	6.01	5.50

### Description Key Example



### Illumination & Electrical:

Lighting Technique:

Linear; Dark-field or Bright-field

Illuminated Area (mm/in.):

LA-50-1	LA-100-1	LA-150-1
51.0 x 8.9 / 2.01 x 0.35	101.8 x 8.9 / 4.01 x 0.35	152.6 x 8.9 / 6.01 x 0.35

Stand-Off:<sup>1</sup>

12.7 mm (0.5 in.)

Light Characteristics:

Voltage/Current (mA ; max. cont., peak strobe)

Source	Color (nm)	Exp. Life	12V-C			24V-C			24V-S		
			50	100	150	50	100	150	50	100	150
LED	Red (660)	50 hrs.	*	*	*	*	*	*	*	*	*
LED	White – 6500 Kelvin	10k hrs.	*	*	*	*	*	*	*	*	*
LED	IR (880)	50k hrs.	100	*	*	*	*	57	*	*	*
LED	IR (940)	50k hrs.	42	*	*	20	40	60	*	*	*
LED	Blue (470)	10k hrs.	*	160	*	*	*	*	*	*	*
LED	Green (533)	10k hrs.	80	*	*	*	*	120	*	*	*

CE Conformity: Yes

<sup>1</sup> Suggested; diffused & non-diffused models; see model # descriptions above for focused unit line widths (LW) @ 0.5" standoff.

\* No custom model available in stated color/voltage combination; see LA-Series standard model specifications.

### CABLES/CONNECTORS:

Connector	Length	Pin#	1	2	3	4	5	6	7	8	9
12V-C Models	9 pin D-sub Male	2.0 M (6.6 ft.)	n/a	n/a	GND	+12VDC	n/a	n/a	n/a	n/a	n/a
24V-C Models <sup>1</sup>	9 pin D-sub Male <sup>1</sup>	2.0 M (6.6 ft.) <sup>1</sup>	n/a	n/a	n/a	n/a	n/a	n/a	+24VDC	n/a	GND

<sup>1</sup> Note: 24V-C Models w/"Flying Leads" have a cable with two (2) tinned leads and no connector; leads are labeled GND and V+ (+24VDC); cable length is 4.5 M (15 ft.).

### Mechanical:

	LA-50-1	LA-100-1	LA-150-1
L x W x H (mm/in.):	56.1 x 15.2 x 19.1 / 2.21 x 0.60 x 0.75	106.9 x 15.2 x 19.1 / 4.21 x 0.60 x 0.75	157.7 x 15.2 x 19.1 / 6.21 x 0.60 x 0.75
Weight:	78 grams (2.6 oz.)	105 grams (3.7 oz.)	136 grams (4.8 oz.)
Mounting:	(2) M3 x .19" deep		
Housing Material:	Black Anodized Aluminum		

### Environmental:

Max. Operating Humidity:	95% non-condensing
Operating Temp.:	40°C (104°F)
Storage Temp.:	50°C (122°F)

### Accessories:

Part #	Description	Models Used On
NER-010502601	CPS-24T 24VDC US w/9-pin D-sub	24V-C <sup>1,2</sup>
NER-010502602	CPS-24T 24VDC EU w/9-pin D-sub	24V-C <sup>1,2</sup>
NER-010500301	CPS-12 3.5A 12VDC US Cord	12V-C
NER-010500303	CPS-12 3.5A 12VDC EU Cord	12V-C
NER-010502700	ICM-1 M/D Intensity Cntrl 12V-C	12V-C
NER-010502701	ICM-1 M/D Intensity Cntrl 24V-C	24V-C <sup>2</sup>
NER-010503500	VPS-II 2 Ch. Variable PS US Cord	12V-C
NER-010503501	VPS-II 2 Ch. Variable PS EU Cord	12V-C
NER-010504100	Power Supply DSP-60 24VDC 2.5A DIN Mount	24V-C <sup>3</sup>
NER-010504101	Power Supply DSP-100 24VDC 4.2A DIN Mount	24V-C <sup>3</sup>
NER-030003702	Ext. Cable Cont. 1.8 M (6 ft.)	12V-C & 24V-C <sup>2</sup>
NER-030003703	Ext. Cable Cont. 3.0 M (10 ft.)	12V-C & 24V-C <sup>2</sup>
NER-030003601	Y cable 2 Lights 9 pin D-sub Cont.	12V-C & 24V-C <sup>2</sup>

<sup>1</sup> NER-01050260x used with either NER-010502701 or 24V-C lights with DB-9 connectors

<sup>2</sup> These 24V-C accessories are not available for "Flying Leads" configurations

<sup>3</sup> These 24V-C accessories are not available for "DB9" configurations