

# MICROSCAN®

## NERLITE® AR-50x200-HO

The AR-50x200-HO Series of high output area arrays provide bright, non-diffuse illumination in a rectangular array.

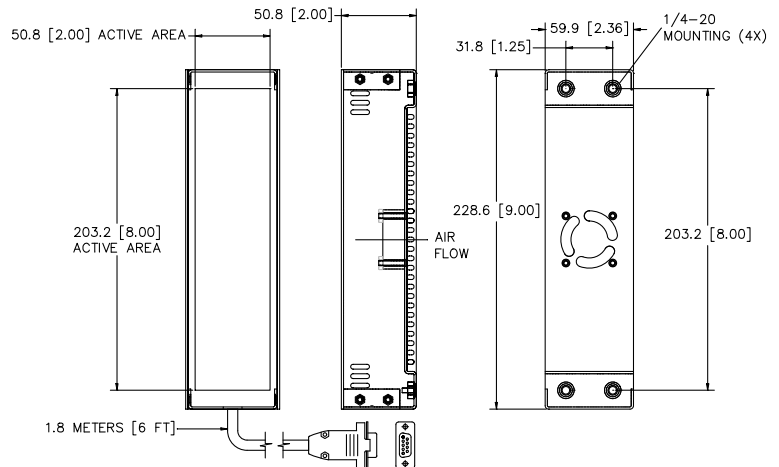
Model #	Description
NER-010650003	AR-50x200-HO, R LED-ND, 12V-C, 1.8M (6 ft.) Cbl. w/DB9
NER-010650004	AR-50x200-HO, R LED-ND, 24V-S, 1.8M (6 ft.) Cbl. w/DB9
NER-010650005	AR-50x200-HO, R LED-ND, 24V-C, 2M (6.6 ft.) Cbl. w/DB9
NER-010650012	AR-50x200-HO, W LED-ND, 24V-C, 2M (6.6 ft.) Cbl. w/DB9
NER-010650013	AR-50x200-HO, W LED-ND, 24V-S, 1.8M (6 ft.) Cbl. w/DB9



### Description Key Example

AR-00x00,RLED-D,12V-C

Family Designation	Array Size (mm - approx.)	Color: R-Red W-White B-Blue G-Green I-Infrared U-Ultraviolet	Delivery: D-Diffused ND- Non-Diffused F-Focused	Source: FO-Fiber Optic FL-Fluorescent LED- Light Emitting Diode	Voltage (DC): C-Continuous S-Strobe CC-Current Control
--------------------	---------------------------	--	--	--	---



### ILLUMINATION & ELECTRICAL:

Lighting Technique: Area Array  
Active Area: 51mm x 203 mm (2 in. x 8 in.)  
Light Characteristics:

Source	Color (nm)	Exp. Life	Voltage/Current (max.) <sup>1</sup>		
			12V-C	24V-C	24V-S <sup>2</sup>
LED	Red (636)	60k hrs.	1.0 A	0.5 A	8.8 A pk.
LED	White - 6500 Kelvin	10k hrs.	n/a	0.9 A	17.6 A pk.

<sup>1</sup> Exceeding max. voltage, current, pulse width or frequency voids product warranty.  
<sup>2</sup> Maximum pulse width = 1ms, maximum frequency = 60Hz.

CE Conformity: Yes

### MECHANICAL:

L x W x H (mm/in.): 228.6 mm x 59.9 mm x 50.8 mm (9.00 in. x 2.36 in. x 2.00 in.)  
Mounting: (4) 1/4-20 on bottom of unit  
Housing Material: Black Anodized Aluminum  
Weight: 567 grams (1.25 lbs.)

### ENVIRONMENTAL:

Max. Operating Humidity: 95% non-condensing  
Operating Temp.: 40° C (104° F)  
Storage Temp.: 50° C (122° F)

### Accessories:

Part #	Description	Models Used On
NER-010901900	SCM-2, 2 Channel Strobe Cntrl.	24V-S
NER-010501402	CPS-24, 24VDC, US cord	24V-S <sup>1</sup>
NER-010501401	CPS-24, 24VDC, EU cord	24V-S <sup>1</sup>
NER-010502601	CPS-24T, 24VDC US w/9-pin D-sub	24V-C & 24V-S <sup>1</sup>
NER-010502602	CPS-24T, 24VDC EU w/9-pin D-sub	24V-C & 24V-S <sup>1</sup>
NER-010500301	CPS-12 3.5A, 12VDC, US Cord	12V-C
NER-010500303	CPS-12 3.5A, 12VDC, EU Cord	12V-C
NER-010502700	ICM-1, M/D Intensity Cntrl, 12V-C	12V-C
NER-010502701	ICM-1, M/D Intensity Cntrl, 24V-C	24V-C
NER-010502702	SCM-1, 1 Channel M/D Strobe Cntrl.	24V-S
NER-010503500	VPS-II, 2 Ch. Variable PS, US Cord	12V-C
NER-010503501	VPS-II, 2 Ch. Variable PS, EU Cord	12V-C
NER-010003702	Ext. Cable, Cont., 1.8 M (6 ft.)	12V-C & 24V-C
NER-010003703	Ext. Cable, Cont., 3.0 M (10 ft.)	12V-C & 24V-C
NER-010007006	Ext. Cable, Strobe, 1.8 M (6 ft.)	24V-S
NER-010007010	Ext. Cable, Strobe, 3.0 M (10 ft.)	24V-S

<sup>1</sup> NER-01050140x used only with NER-010901900;  
NER-01050260x used with either NER-010502702 or 24V-C lights with DB-9 connectors

### CABLES/CONNECTORS:

	Connector	Length	Pin#	1	2	3	4	5	6	7	8	9
12V-C Models	9 pin D-sub Male	1.8 M (6 ft.)		+12VDC (Fan)	GND (Fan)	GND	+12VDC	n/a	n/a	n/a	n/a	n/a
24V-C Models	9 pin D-sub Male	2.0 M (6.6 ft.)		+24VDC (Fan)	GND (Fan)	n/a	n/a	n/a	+24VDC	n/a	GND	n/a
24V-S Models	9 pin D-sub Male	1.8 M (6 ft.)		V-	n/a	n/a	+24VDC	n/a	n/a	n/a	n/a	n/a