

MICROSCAN®

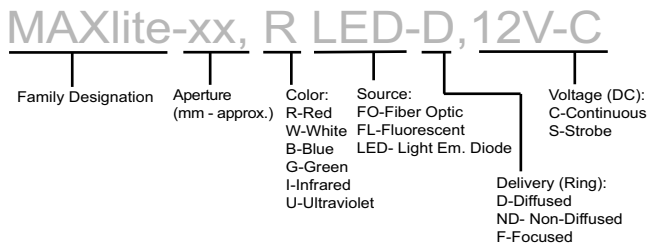
NERLITE® MAXlite®-50 LED

MAXlite-50 Multi-Axis Illuminators are designed for applications requiring a combination of lighting geometries. The MAXlite combines on-axis and dark field in one package, simplifying integration by allowing one lighting unit to address a variety of applications. MAXlites can be used with continuous or variable power supplies. With variable intensity, each axis is individually adjustable by a potentiometer or controllable by the vision system through an analog input.



Model #	Description
NER-010002100	MAXlite-50, R LED-D, 12V-C, 6' cable
NER-010002103	MAXlite-50, R LED-D, 24V-C
NER-010002102	MAXlite-50, R LED-D, 24V-S
NER-010008600	MAXlite-50, W LED-D, 12V-C

Description Key Example



Illumination & Electrical:

Lighting Technique: Multi-axis
Light Aperture: 50 mm x 50 mm (2 in. x 2 in.)
Field Of View x Stand-Off¹: 25.4 mm (1 in.) x 25.4 mm (1 in.)
Light Characteristics:

Source	Color (nm)	Exp. Life	Voltage/Current (max.)		
			12V-C	24V-C	24V-S
LED	Red (636)	60k hrs.	660 mA	300 mA	4.5 A Peak
LED	White – 6500 Kelvin	10k hrs.	730mA	n/a	n/a

¹Suggested

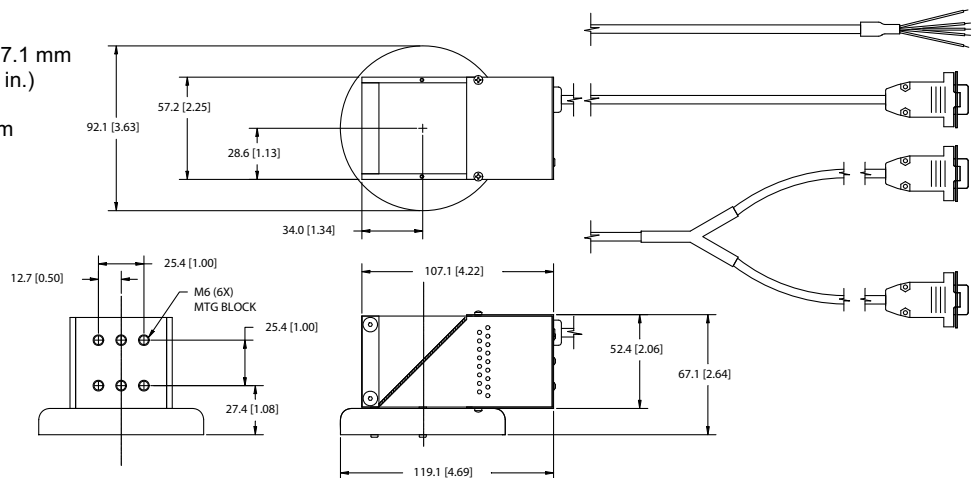
CE Conformity: Yes

Mechanical:

L x W x H (mm/in.): 119.1 mm x 92.1 mm x 67.1 mm (4.69 in. x 3.63 in. x 2.64 in.)
Mounting: (6) M6
Housing Material: Black Anodized Aluminum
Weight: 481 grams (17 oz.)

Environmental:

Max. Operating Humidity: 95% non-condensing
Operating Temp. 40°C (104°F)
Storage Temp. 50°C (122°F)



Cables/Connectors:

Connectors	Length	Pin#	1	2	3	4	5	6	7	8	9
NER-010002100 NER-010008600	9 pin D-sub Male	1.8 M (6 ft.)	+12VDC (Fan)	GND (Fan)	RING & DOAL GND	RING +12VDC	DOAL +12VDC	n/a	n/a	n/a	n/a
NER-010002102	9 pin D-sub Male (x2)	#1-DOAL	1.8 M (6 ft.)	V-	n/a	n/a	+24VDC	n/a	n/a	n/a	n/a
		#2-RING	1.8 M (6 ft.)	n/a	n/a	n/a	n/a	+24VDC	V-	n/a	n/a
NER-010002103	n/a (flying leads) ¹	4.5 M (15 ft.)									

¹Note: 24V-C Models w/"Flying Leads"; leads are labeled DOAL V+, RING V+, RING & DOAL GND, FAN V+ and FAN GND

Accessories:

Part #	Description	Models Used On
NER-010500301	CPS-12 3.5A, 12VDC, US Cord	12V-C
NER-010500303	CPS-12 3.5A, 12VDC, EU Cord	12V-C
NER-010501402	CPS-24, 24VDC, US cord	24V-S ¹
NER-010501401	CPS-24, 24VDC, EU cord	24V-S ¹
NER-010502601	CPS-24T, 24VDC US w/9-pin D-sub	24V-S ¹
NER-010502602	CPS-24T, 24VDC EU w/9-pin D-sub	24V-S ¹
NER-010502700	ICM-1, M/D Intensity Cntrl, 12V-C	12V-C
NER-010502701	ICM-1, M/D Intensity Cntrl, 24V-C	24V-C ³
NER-010502702	SCM-1, 1 Channel M/D Strobe Cntrl.	24V-S ²
NER-010901900	SCM-2, 2 Channel Strobe Control	24V-S
NER-010503500	VPS-II, 2 Ch. Variable PS, US Cord	12V-C
NER-010503501	VPS-II, 2 Ch. Variable PS, EU Cord	12V-C
NER-030003702	Ext. Cable, Cont., 1.8 M (6 ft.)	12V-C & 24V-C ³
NER-030003703	Ext. Cable, Cont., 3.0 M (10 ft.)	12V-C & 24V-C ³
NER-030003601	Y cable, 2 Lights, 9 pin D-sub Cont.	12V-C & 24V-C ³
NER-030007006	Ext. Cable, Strobe, 1.8 M (6 ft.)	24V-S ²
NER-030007010	Ext. Cable, Strobe, 3.0 M (10 ft.)	24V-S ²

¹NER-01050140x used only with NER-010901900;

NER-01050260x used with either NER-010502702 or 24V-C lights with DB-9 connectors

²NER-010002102 requires two strobe channels (two SCM-1's or both channels of an SCM-2; if strobe extension cables required, order two)

³24V-C accessories are not available for "Flying Leads" configurations