

MICROSCAN®

NERLITE® MAXlite -75-LED Red

Part Number: NER-010001702 MAXlite-75-LED Red Strobe
 NER-010001700 MAXlite-75-LED Red Continuous

Product Description: The MAXlite-75-LED (Multi-Axis Illuminator) is designed for applications requiring a combination of lighting geometries. Square Continuous Diffuse (SCDI®) and dark-field illumination are combined in one package with the MAXlite-75-LED. Integration is simplified through the use of a single lighting unit that employs multiple lighting techniques to address a variety of demanding applications. Integrate NER's Strobe Control Module (SCM) with the MAXlite-75-LED Red Strobe, or configure one of NER's continuous or variable intensity power supplies with the MAXlite-75-LED Red Continuous. When configured with a variable intensity supply, each light axis is individually adjustable by a potentiometer or controllable by the vision system through an analog input.

Illumination:

Lighting Technique: Multi-Axis (SCDI and DF ring)
Source Type: Red LED
Spectrum: 636 nm
Expected Life: 60,000 hours
Light Delivery: Diffused and Dark-field
Light Aperture: 44.5 mm x 59.4 mm
 (1.75 in. x 2.34 in.)
Suggested Field Of View: 38 mm (1.5 in.)
Suggested Stand-Off: 12 mm (0.47 in.)

Mechanical:

L x W x H: 161.8 mm x 139.7 mm x 102.9 mm
 (6.37 in. x 5.50 in. 4.05 in.)
Mounting: (4) M6
Weight: 642 grams (23 oz.)
Housing Material: Black Anodized Aluminum

Environmental:

Max. Operating Humidity: 95% non-condensing
Operating Temp.: 40° C (104° F)
Storage Temp.: 50° C (122° F)

Electrical:

Input Voltage (max.):

12V Continuous Models 12VDC
24V Strobe Models 24VDC

Input Current (max.):

LED Color	Voltage	12VDC Cont.	24VDC Strobe
Red		2.2A	12.8 A pk.

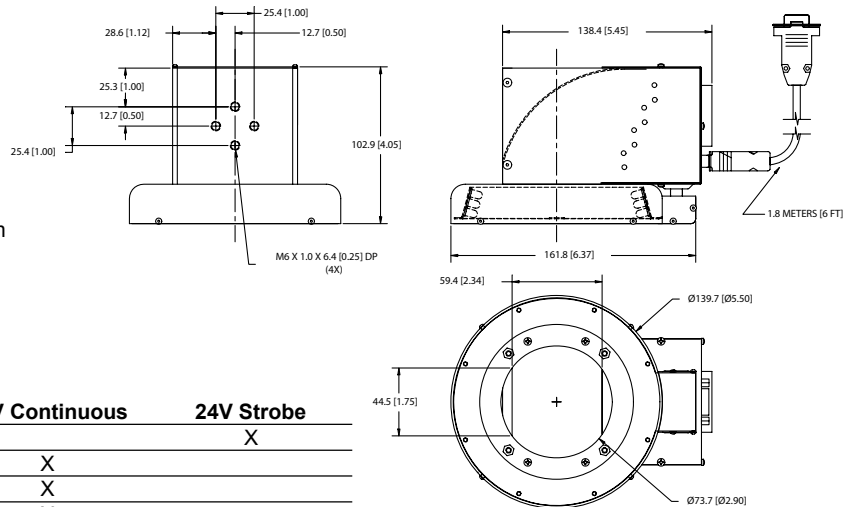
Cable Length:

12V Continuous Models 1.8 M (6 ft.)
24V Strobe Models n/a (no cable provided; select from accessory list below)

Connector:

CE Conformity:

9 pin D-subminiature Male
 Yes



Accessories:

Part #	Description	Models Used On:	12V Continuous	24V Strobe
NER-010901900	SCM-2, Strobe Control Module			X
NER-010500301	CPS-12 3.5A, 12VDC, US Cord		X	
NER-010500303	CPS-12 3.5A, 12VDC, EU Cord		X	
NER-010503500	VPS-II, Variable Power Supply, US Cord		X	
NER-010503501	VPS-II, Variable Power Supply, EU Cord		X	
NER-030003702	Extension Cable, Continuous, 1.8 M (6 ft.)		X	
NER-030003703	Extension Cable, Continuous, 3.0 M (10 ft.)		X	
NER-030018000	Cable, SCM-2 to MAXlite			X
NER-030007006	Extension Cable, Strobe, 1.8 M (6 ft.)			X
NER-030007010	Extension Cable, Strobe, 3.0 M (10 ft.)			X

Cable Pinout:

Model	Pin#	1	2	3	4	5	6	7	8	9
12V Continuous Models		FAN +12VDC	FAN GND	GND	RING +12VDC	SCDI +12VDC	n/a	n/a	n/a	n/a
24V Strobe Models		SCDI V-	n/a	n/a	SCDI +24VDC	RING +24VDC	RING V-	n/a	n/a	n/a