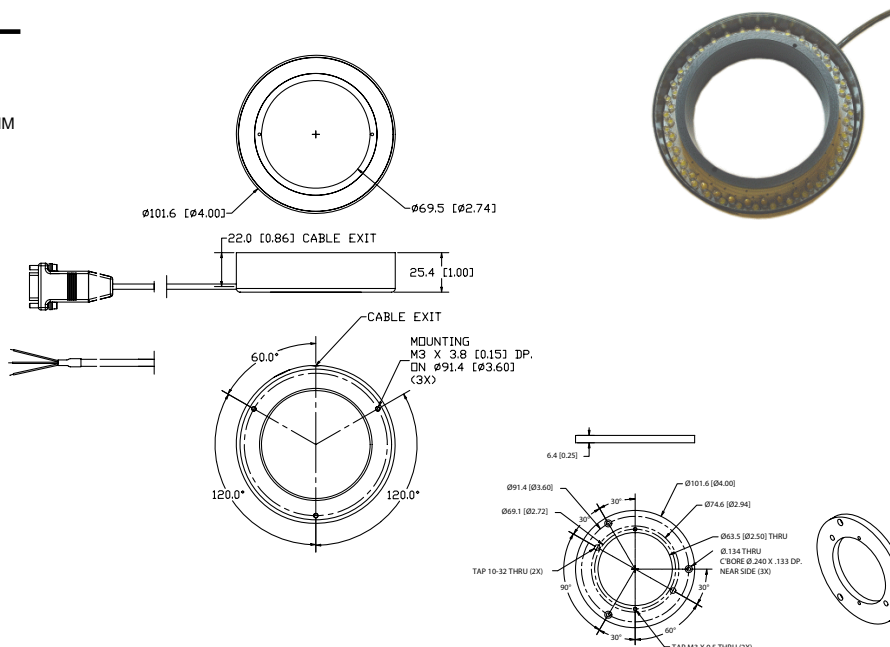


MICROSCAN®

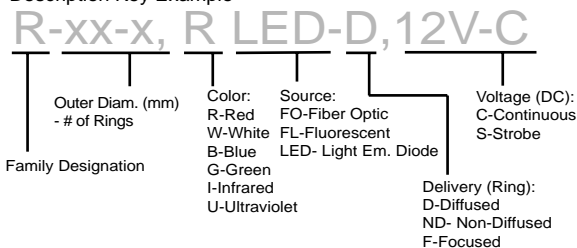
NERLITE® R-100-1 "V2" Series Ring

R-100-1 "V2" Series Ring Illuminators feature 36 LEDs (6 more LEDs than the models they replace) in a single ring configuration. Building on the design of our original Ring Illuminators, these models offer enhancements to mounting and accessory installation that make them class leaders in application versatility. Lens adapter options permit direct mounting to lens filter threads or lens barrel. A wide selection of model choices... diffused, non-diffused, or focused – red or white spectrums – 12 or 24 volt power – continuous or strobed ...assures broad application coverage. For applications where more light intensity is required, see the R-100-2 (two rings of 36 LEDs each for a total of 72 LEDs). R-100-1 V2 Ring Illuminators are ideal for applications that require cost-effective illumination of diffused surfaces.

MODEL#	DESCRIPTION
NER-010608000	R-100-1 V2, R LED-ND, 12V-C, 2M (6.6') Cbl. w/DB9
NER-010608001	R-100-1 V2, R LED-D, 12V-C, 2M (6.6 ft.) Cbl. w/DB9
NER-010608010	R-100-1 V2, R LED-ND, 24V-C, 2M (6.6 ft.) Cbl. w/DB9
NER-010608011	R-100-1 V2, R LED-D, 24V-C, 2M (6.6 ft.) Cbl. w/DB9
NER-010608012	R-100-1 V2, R LED-F, 24V-C, 2M (6.6 ft.) Cbl. w/DB9 FL=70MM
NER-010608020	R-100-1 V2, R LED-ND, 24V-S, 2M (6.6 ft.) Cbl. w/DB9
NER-010608021	R-100-1 V2, R LED-D, 24V-S, 2M (6.6 ft.) Cbl. w/DB9
NER-010608030	R-100-1 V2, W LED-ND, 12V-C, 2M (6.6 ft.) Cbl. w/DB9
NER-010608031	R-100-1 V2, W LED-D, 12V-C, 2M (6.6 ft.) Cbl. w/DB9
NER-010608040	R-100-1 V2, W LED-ND, 24V-C, 2M (6.6 ft.) Cbl. w/DB9
NER-010608041	R-100-1 V2, W LED-D, 24V-C, 2M (6.6 ft.) Cbl. w/DB9
NER-010608042	R-100-1 V2, W LED-F70, 24V-C, 2M (6.6 ft.) Cbl. w/DB9
NER-010608050	R-100-1 V2, W LED-ND, 24V-S, 2M (6.6 ft.) Cbl. w/DB9
NER-010608051	R-100-1 V2, W LED-D, 24V-S, 2M (6.6 ft.) Cbl. w/DB9



Description Key Example



Illumination & Electrical:

Lighting Technique:

Light Aperture:

Light Characteristics:

Ring
69.5 mm (2.74 in.)

Source	Color (nm)	Exp. Life	Voltage/Current (max.)		
			12V-C	24V-C	24V-S
LED	Red + (660)	50k hrs.	126 mA	69 mA	1.2 A pk.
LED	White - 6500 Kelvin	10k hrs.	240 mA	120 mA	2.4 A pk.

CE Conformity:

Yes

Environmental:

Max. Operating Humidity

Operating Temp.

Storage Temp.

95% non-condensing
40°C (104°F)
50°C (122°F)

MECHANICAL:

OD x ID x H (mm/in.):

101.6 mm x 69.5 mm x 25.4 mm
(4.00 in. x 2.74 in. x 1.0 in.)
(3) M3 X 3.8 mm (0.15 in.) Deep
Black Anodized Aluminum
192.7 grams (6.8 ozs.)

Mounting:

Housing Material:

Weight:

Cables/Connectors:

	Connector	Length	Pin#	1	2	3	4	5	6	7	8	9
12V-C Models	9 pin D-sub Male	2.0 M (6.6 ft.)		n/a	n/a	GND	+12VDC	n/a	n/a	n/a	n/a	n/a
24V-S Models	9 pin D-sub Male	2.0 M (6.6 ft.)		V-	n/a	n/a	+24VDC	n/a	n/a	n/a	n/a	n/a
24V-C Models ¹	9 pin D-sub Male ¹	2.0 M (6.6 ft.)		n/a	n/a	n/a	n/a	n/a	n/a	+24VDC	n/a	GND

¹ Note: 24V-C Models w/"Flying Leads" have a 4.5 M (15 ft.) cable with two (2) tinned leads and no connector; leads are labeled GND and V+ (+24VDC)

ACCESSORIES:

Part #	Description	Models Used On
NER-010901900	SCM-2, 2 Channel Stroble Cntrl.	24V-S
NER-010501402	CPS-24T, 24VDC US cord	24V-S ¹
NER-010501401	CPS-24T, 24VDC EU cord	24V-S ¹
NER-010502601	CPS-24T, 24VDC US w/9-pin D-sub	24V-C & 24V-S ^{1,2}
NER-010502602	CPS-24T, 24VDC EU w/9-pin D-sub	24V-C & 24V-S ^{1,2}
NER-010500301	CPS-12, 3.5A, 12VDC, US Cord	12V-C
NER-010500303	CPS-12, 3.5A, 12VDC, EU Cord	12V-C
NER-010502700	ICM-1, M/D Intensity Cntrl, 12V-C	12V-C
NER-010502701	ICM-1, M/D Intensity Cntrl, 24V-C	24V-C ²
NER-010502702	SCM-1, 1 Channel M/D Stroble Cntrl.	24V-S
NER-010503500	VPS-II, 2 Ch. Variable PS, US Cord	12V-C
NER-010503501	VPS-II, 2 Ch. Variable PS, EU Cord	12V-C
NER-030003702	Ext. Cable, Cont., 1.8 M (6 ft.)	12V-C & 24V-C
NER-030003703	Ext. Cable, Cont., 3.0 M (10 ft.)	12V-C & 24V-C
NER-030007006	Ext. Cable, Stroble, 1.8 M (6 ft.)	24V-S
NER-030006900	Ext. Cable, Stroble, 3.0 M (10 ft.)	24V-S
NER-030003601	Y cable, 2 Lights, 9 pin D-sub Strb.	24V-S
NER-080115200	Y cable, 2 Lights, 9 pin D-sub Cont.	12V-C & 12V-C
NER-010026320	Adapter, R-100 V2 to R-100 V1 Bolt Pattern	All
NER-080114000	Lens Adptr, Clamp-On, Nylon Screws, 69.5mm ID ³	All
NER-080114001	Lens Adptr, Fltr Thrd Mnt 25.5 x 0.5mm, 23.0mm ID ³	All
NER-080114002	Lens Adptr, Fltr Thrd Mnt 27.0 x 0.5mm, 24.4mm ID ³	All
NER-080114003	Lens Adptr, Fltr Thrd Mnt 30.5 x 0.5mm, 27.5mm ID ³	All
NER-030007010	Lens Adptr, Fltr Thrd Mnt 40.5 x 0.5mm, 37.5mm ID ³	All

¹ NER-0150140x used only with NER-010901900;

NER-01050260x used with either NER-010502702 or 24V-C lights with DB-9 connectors

² 24V-C accessories are not available for "Flying Leads" configurations

³ See Lens Adapter Spec sheet