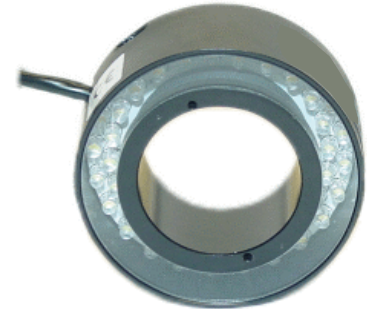


MICROSCAN®

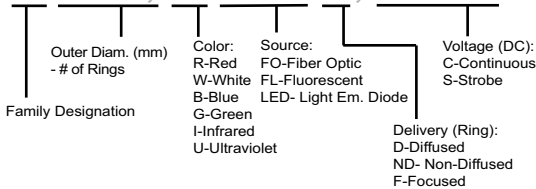
NERLITE® R-60-1 "V2" Series Ring

R-60-1 "V2" Series Ring Illuminators feature 24 LEDs in a single ring configuration. Building on the design of our original Ring Illuminators, these new models offer enhancements to mounting and accessory installation that make them class leaders in application versatility. Lens adapter options permit direct mounting to lens filter threads or to lens barrel. A wide selection of model choices... diffused, non-diffused, or focused – red or white spectrums – 12 or 24 volt power – continuous or strobed ...assures broad application coverage. For applications where more light intensity is required, see the R-60-2 (two rings of 24 LEDs for a total of 48 LEDs). R-60-1 V2 Ring Illuminators are ideal for applications that require illumination of diffused surfaces.

MODEL#	DESCRIPTION
NER-010606010	R-60-1 V2 R LED-ND 24V-C 2M [6.6'] CBL W/FLYING LEADS
NER-010606011	R-60-1 V2 R LED-D 24V-C 2M [6.6'] CBL W/FLYING LEADS
NER-010606020	R-60-1 V2 R LED-ND 24V-S 2M [6.6'] CBL W/DB9
NER-010606021	R-60-1 V2 R LED-D 24V-S 2M [6.6'] CBL W/DB9
NER-010606040	R-60-1 V2 W LED-ND 24V-C 2M [6.6'] CBL W/FLYING LEADS
NER-010606041	R-60-1 V2 W LED-D 24V-C 2M [6.6'] CBL W/FLYING LEADS
NER-010606050	R-60-1 V2 W LED-ND 24V-S 2M [6.6'] CBL W/DB9
NER-010606051	R-60-1 V2 W LED-D 24V-S 2M [6.6'] CBL W/DB9
NER-010606070	R-60-1 V2 B LED-ND 24V-C 2M [6.6'] CBL W/FLYING LEADS
NER-010606071	R-60-1 V2 B LED-D 24V-C 2M [6.6'] CBL W/FLYING LEADS
NER-010606092	R-60-1 V2 I(880) LED-ND 24V-C 2M [6.6'] CBL W/FLYING LEADS
NER-010606093	R-60-1 V2 I(880) LED-D 24V-C 2M [6.6'] CBL W/FLYING LEADS



R-xx-x, R LED-D, 12V-C



Illumination & Electrical:

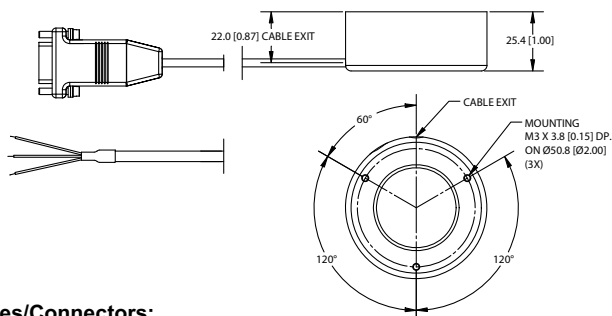
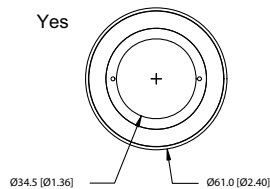
Lighting Technique:
Light Aperture:
Light Characteristics:

Ring
34.5 mm (1.36 in.)

Source	Color (nm)	Exp. Life	Voltage/Current (max.)	
			24V-C	24V-S
LED	Red (660)	50k hrs.	46 mA	0.8 A pk.
LED	White (6500K)	10k hrs.	80 mA	1.6 A pk.
LED	Blue (470)	10k hrs	81mA	n/a
LED	IR (880)	50k hrs	42mA	n/a

CE Conformity:

Yes



Cables/Connectors:

	Connector	Length	Pin#	1	2	3	4	5	6	7	8	9
12V-C Models	9 pin D-sub Male	2.0 M (6.6 ft.)		n/a	n/a	GND	+12VDC	n/a	n/a	n/a	n/a	n/a
24V-S Models	9 pin D-sub Male	2.0 M (6.6 ft.)		V-	n/a	n/a	+24VDC	n/a	n/a	n/a	n/a	n/a
Flying Leads Models ¹	Flying Leads ¹	2.0 M (6.6 ft.)		+24VDC	GND	Shield	n/a	n/a	n/a	n/a	n/a	n/a

¹ Note: Models w/"Flying Leads" have a cable with three(3) tinned leads and no connector; leads are labeled V+, GND and SHLD.

Mechanical:
OD x ID x H (mm/in.):

61.0 mm x 34.5 mm x 25.4 mm
(2.40 in. x 1.36 in. x 1.0 in.)
(3) M3 X 3.8 mm (0.15 in.) Deep
Black Anodized Aluminum
133 grams (0.29 lbs.)

Mounting:
Housing Material:
Weight:

Environmental:
Max. Operating Humidity
Operating Temp.
Storage Temp.

95% non-condensing
40°C (104°F)
50°C (122°F)

Accessories:

Part #	Description	Models Used On
NER-010901900	SCM-2 2 Channel Strobe Cntrl.	24V-S
NER-010501402	CPS-24 24VDC, US cord	24V-S ¹
NER-010501401	CPS-24 24VDC, EU cord	24V-S ¹
NER-010502601	CPS-24T 24VDC US w/9-pin D-sub	24V-S ¹
NER-010502602	CPS-24T 24VDC EU w/9-pin D-sub	24V-S ¹
NER-BA00-0AA0	DSP60 24VDC 2.5A DIN Mount Power Supply	24V-C
NER-BA00-0AB0	DSP100 24VDC 4.2A DIN Mount Power Supply	24V-C
NER-DA00-0AB0	AC Power Cord US 1.8 M (6.0 ft.)	DIN Mount PS
NER-DA00-0AC0	AC Power Cord EU 2.5 M (8.2 ft.)	DIN Mount PS
NER-DA00-0AD0	AC Power Cord UK 2.0 M (6.6 ft.)	DIN Mount PS
NER-010502702	SCM-1 Channel M/D Strobe Cntrl.	24V-S
NER-030007006	Ext. Cable Strobe 1.8 M (6 ft.)	24V-S
NER-030007010	Ext. Cable Strobe 3.0 M (10 ft.)	24V-S
NER-030006900	Y cable 2 Lights 9 pin D-sub Strb.	24V-S

¹ NER-01050140x used only with NER-010901900; NER-01050260x used with NER-010502702

² Ring light to camera lens mounting adapters are available. See the data sheet, DS-010500 NERLITE lens-adapter-v2-rings, at our web site.

³ Diffuse, focusing, and polarizing optical accessories are available. See the data sheet, DS-010600 NERLITE lens-accessories-v2-rings, at our web site.